

Cartridge Pump with electric drive



- 290 bar
- 12 - 24 V
- -25 - +70 °C
- IP6K9K

The lubrication pump for smaller machines and systems

- Easy handling
- Rugged and compact
- For different cartridge types
- Clean filling
- Integrated control unit

Cartridge Pump

with electric drive

ZEPTO

The electric cartridge pump **ZEPTO** is designed to provide lubricant within a central lubrication system (for example, a progressive system) or to single lubrication points.

ZEPTO can be used for lubrication of smaller machines and systems with up to 30 lubrication points.

There are numerous possible applications:

- Stationary machines and systems
- Construction vehicles and machines
- Agriculture and forestry
- Special-purpose machines and much more!

The compact eccentric pump supplies the lubricant reliably with the help of desmodromic pump element. An innovative revolution control ensures constant delivery rates irrespective of the supply voltage.

ZEPTO can be used with following standard cartridge types: S (Lube-Shuttle®), F (System Reiner) or L (System Ritter) with corresponding adapter.

Due to simple cartridge replacement the lubricant can be refilled fast and clean.

Technical Data

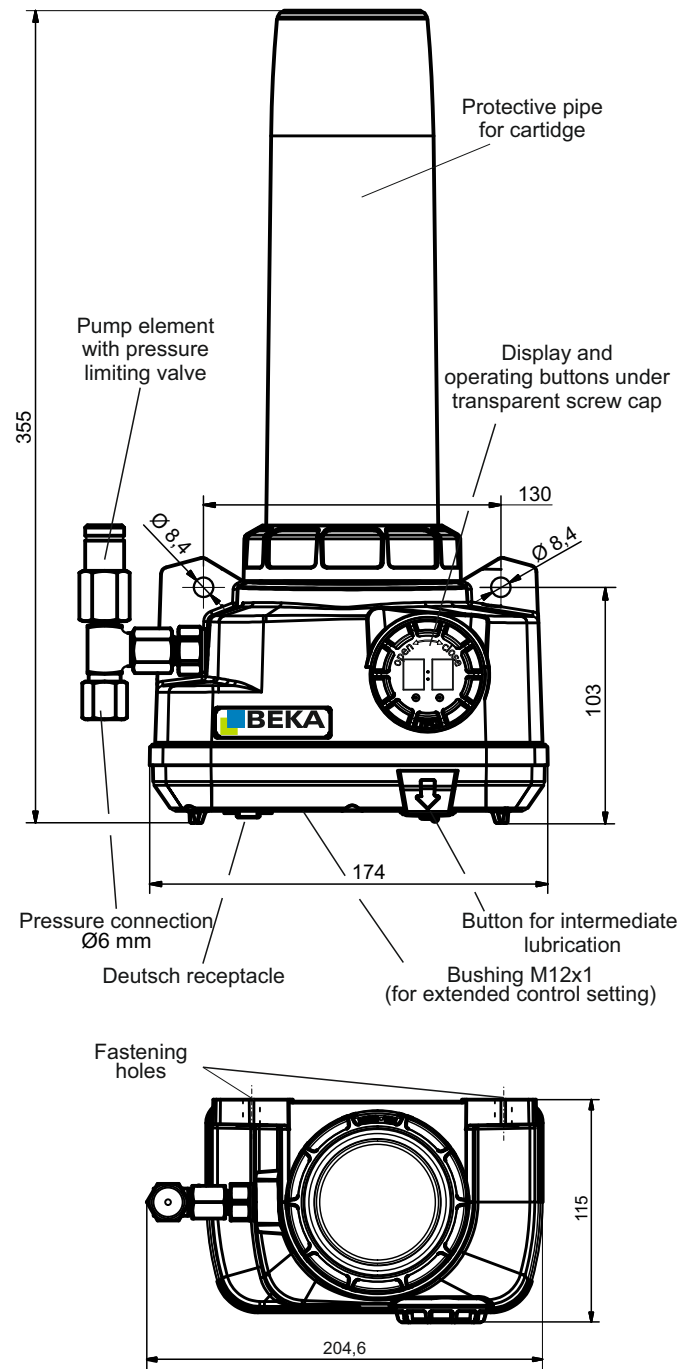
Pump

Pressure connection:	Ø 6 mm
Delivery pressure:	max. 290 bar (setting of the pressure limiting valve)
Temperature range:	-25 °C up to +70 °C (depending on lubricant)
Lubricant:	grease up to NLGI 2
Cartridge types:	S (Lube-Shuttle®)* L (System Ritter) F (System Reiner)
Delivery rate:	1,0 cm ³ /min
Housing:	high-strength plastic
Drive:	DC motor
Operational voltage:	12 - 24 V DC
Current consumption:	max. 5 A
Power connection:	Deutsch receptacle, 4-poles incl. reverse polarity protection
Pump outlets:	1
Installation position:	vertical
Degree of protection:	IP6K9K (ISO 20653)

Control unit

Operational modes:	time control time control with pressure monitoring pulse control continuous operation
Functions:	intermediate lubrication actuation by button or externally via Deutsch connector adjustable level prewarning signal output on the display or externally via Deutsch connector

* Lube-Shuttle® is a registered trade mark of MATO



www.beka-lube.de

BAIER+KÖPPEL GMBH+Co. KG
BEETHOVENSTRASSE 14
91257 PEGNITZ/GERMANY

fon +49 9241 729-0
fax +49 9241 729-50
e-mail beka@beka-lube.de