

Dynapac CC1100CVI

Combi rollers



Technical data

Masses	
Max. operating mass	3000 kg
Operating mass (incl. ROPS)	2215 kg
Module mass (front/rear)	1145 kg/1070 kg

Traction	
Speed range	0-10 km/h
Vertical oscillation	±10°
Theor. gradeability	71 %

Compaction	
Wheel load	268 kg/wheel
Tyre type (smooth)	640x240-15.6
Centrifugal force	29/25 kN
Nominal amplitude	0.5 mm
Static linear load	10.7 kg/cm
Vibration frequency	66/61 Hz
Water tank	185 l
Emulsion tank	20 l

Engine	
Manufacturer/Model	Kubota D1703-M (IIIA/T4i)
Type	Water cooled
Rated power, SAE J1995	26 kW (35 hp) @ 2800 rpm
Fuel tank capacity	45 l

Engine	
Manufacturer/Model	Kubota D1703-DI (T4f)
Type	Water cooled
Rated power, SAE J1995	18.5 kW (25 hp) @ 2200 rpm

Engine	
Manufacturer/Model	Kubota D1803-CR (T4f)
Type	Water cooled
Rated power, SAE J1995	28 kW (37.5 hp) @ 2700 rpm

Hydraulic system	
Driving	Axial piston pump with variable displacement. Radial piston motors with constant displacement.
Vibration	Gear pump/motors with constant displacement.
Steering	Gear pump with constant displacement.
Service brake	Hydrostatic in forward and reverse lever.
Parking/ Emergency brake	Failsafe multidisc brake on drum and wheels.

Find us locally at www.dynapac.com

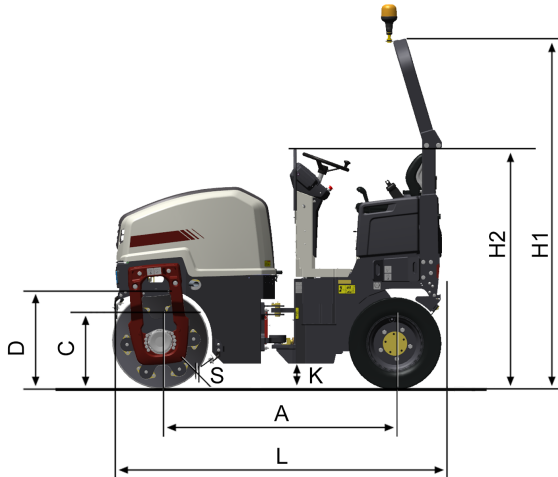
We reserve the right to change specifications without notice. Photos and illustrations do not always show standard versions of machines. The above information is a general description only, all informations are supplied without liability.

Dynapac CC1100CVI

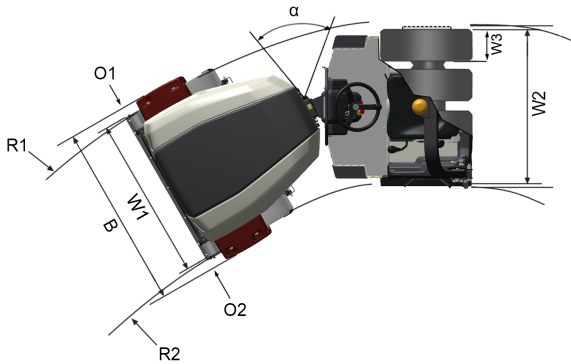
Combi rollers



Technical data



Dimensions	
A. Wheelbase	1700 mm
B. Width	1340 mm
C. Curb clearance	554 mm
D. Drum diameter	700 mm
H1. Height, with ROPS	2542 mm
H2. Height, w/o ROPS/cab	1744 mm
K. Ground clearance	180 mm
L. Length	2400 mm
O1. Overhang, right	70 mm
O2. Overhang, left	70 mm
R1. Turning radius, outside	3710 mm
R2. Turning radius, inside	2640 mm
S. Drum shell thickness	12 mm
W1. Drum width	1070 mm
W2. Width, wheel module	1040 mm
W3. Width, tyre	233 mm
α . Steering angle	$\pm 30^\circ$



Find us locally at www.dynapac.com

We reserve the right to change specifications without notice. Photos and illustrations do not always show standard versions of machines. The above information is a general description only, all informations are supplied without liability.