

# BROKK 520D

NEW 2018!

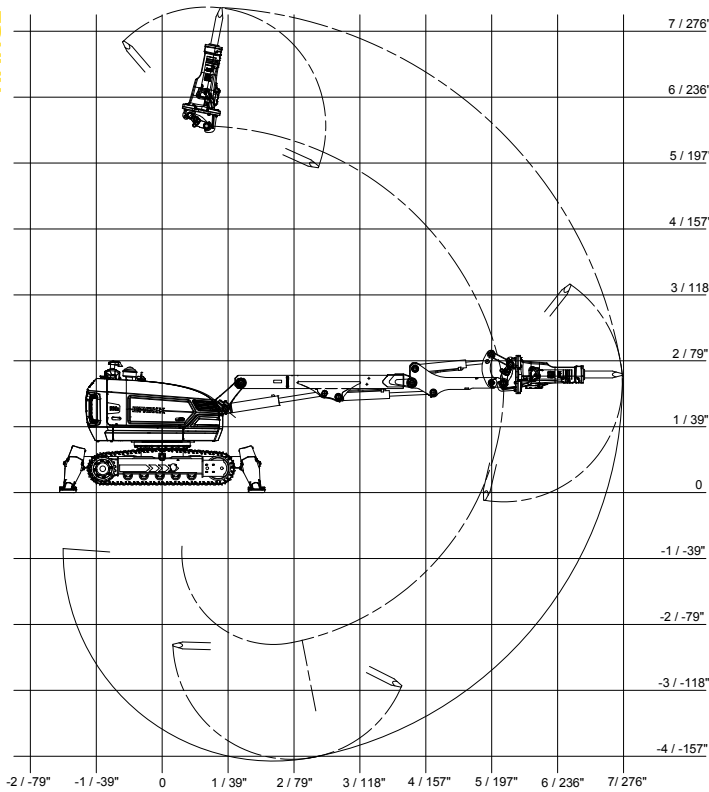


## The Mean, Green Diesel Demolition Machine

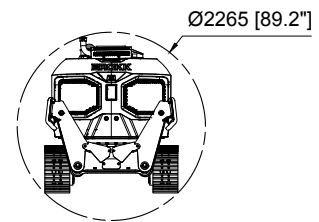
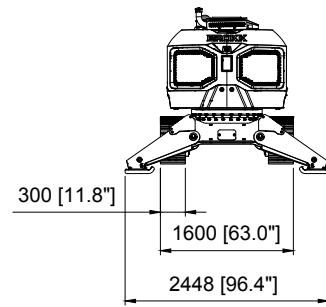
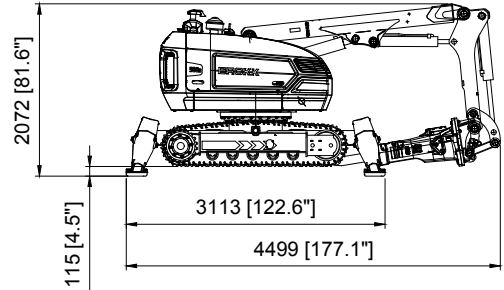
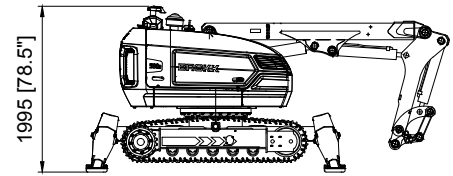
**BROKK 520D** is a beast. With 40 percent more hitting power and the ability to size up attachments, this diesel-powered machine outperforms everything its size. It's stronger, faster and has a longer reach – while keeping key compact dimensions of its predecessor Brokk 400D. Adding the Brokk SmartConcept – the reliability of SmartPower™, the clever features of SmartDesign™, the ergonomics and productivity of SmartRemote™ – this machine is optimal for the heaviest of tasks in any industry. Meeting new emission standards (EPA Tier 4 Final/EU Stage IV) it is also the greenest diesel demolition robot on the planet.

- 40% more demolition power with the BHB 705
- Meets the toughest emission standards
- Rugged and reliable Brokk SmartPower™
- Brokk SmartDesign™ and SmartRemote™
- Compatible with all Brokk 400 and Brokk 500 attachments

**RANGE**



**SIZE**



**TECHNICAL DATA**

Hydraulic breaker in illustrations BHB 705  
 Load and stability diagram available on request

**Performance**

Slewing speed 16 sec/360°  
 Transport speed, max. 3,4 km/h; 2.1 mph  
 Climbing inclination, max. 30°

**Hydraulic system**

Hydraulic system capacity 145 l; 38 US gal  
 Pump type Variable load-sensing  
 System pressure 18,0 MPa; 2 611 psi  
 Increased pressure to attachment 24,0 MPa; 3 481 psi  
 Pump flow 130 l/min; 34 US gal/min

**Diesel performance**

Type 1) Kohler Four-cylinder, water-cooled, 4-stroke engine  
 Engine\*\*\* 55 kW; 74 hp diesel EPA Tier 4, EU Stage IV  
 Engine oil volume 11,5 l; 3 US gal  
 Type 2) Kubota Four-cylinder, water-cooled, 4-stroke engine  
 Engine 55 kW; 99 hp diesel EPA Tier 3, EU Stage IIIA  
 Engine oil volume 13,2 l; 3.5 US gal  
 Fuel tank capacity 70 l; 18 US gal  
 Coolant volume 10 l; 2.6 gal  
 Freezing point -40°C; -40°F

**Control system**

Control type SmartRemote, portable control  
 Signal code Digital  
 Transfer Professional radio/Cable  
 Range, radio Up to 300 m

**Weight**

Machine weight\* 5 500 kg; 12 125 lbs  
 Recommended attachment weight 700 kg; 1 543 lbs

**Noise level**

Sound power level  $L_{WA}$ \*\* 101 dB(A)

\*Excluding options and attachment  
 \*\*Measured according to directive 2000/14/EC, excl. attachment  
 \*\*\*Rated power 74 kW: 99,2 hp at 2,600 rpm (SAE J1995)

**OPTIONS**

**Arm System**

Impact and heat protection for cylinder C2 and C3  
 Heavy duty arm 3

**Undercarriage**

Rubber caterpillar tracks  
 Steel caterpillar tracks

**Heat resistance**

Heat resistant hoses for hydraulic breaker  
 Forced draft cooling of machine  
 Forced draft cooling of breaker  
 Steel pads for kiln demolition or furnace

**Other options**

Air flushing through breaker to protect from dust  
 Water spray through breaker to bind dust  
 Extra hydraulic function  
 Drainage hose  
 CAN cable connection for tools  
 Lifting eyes (regular lifting points are standard)

**TOOLS**

