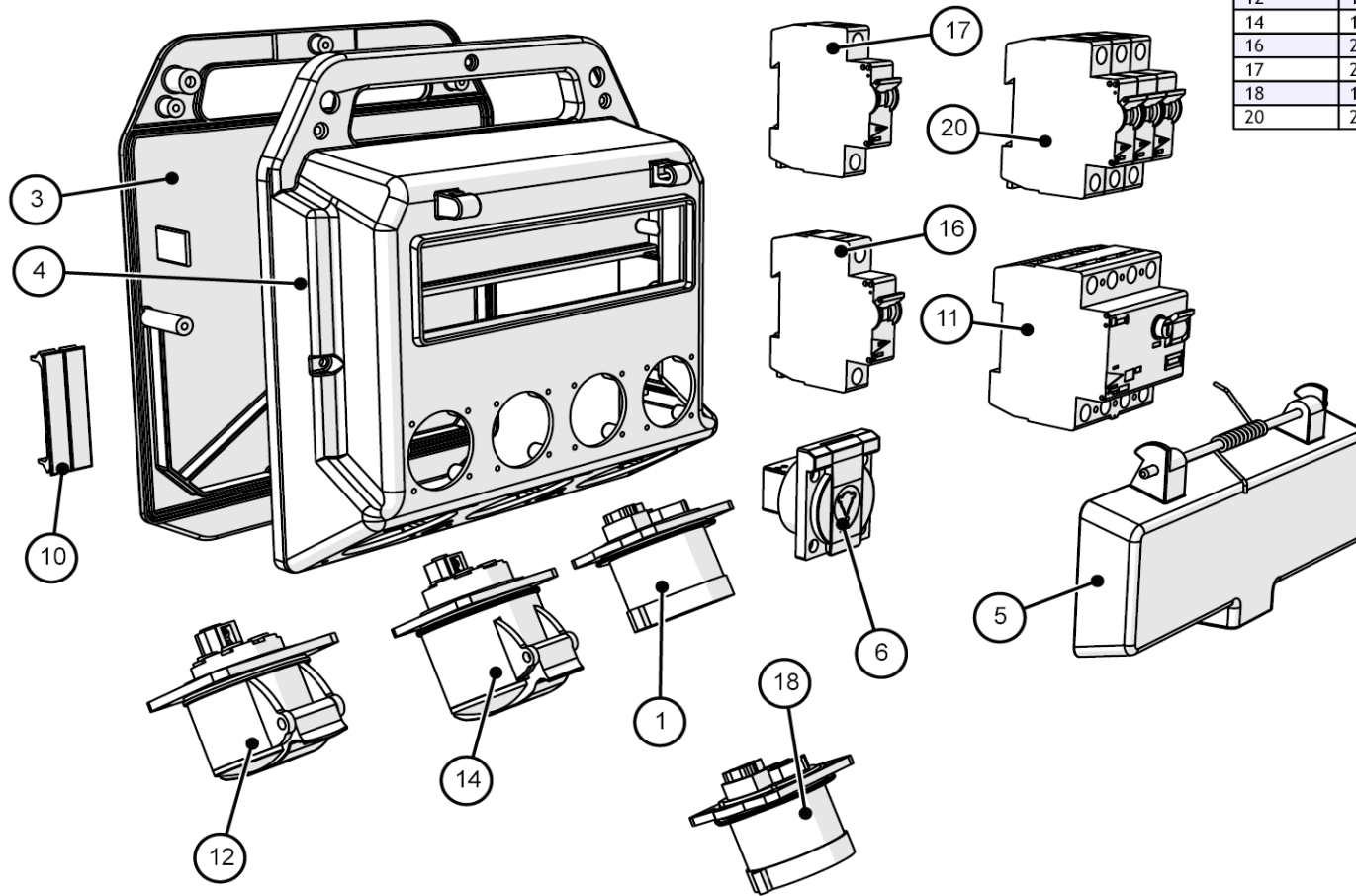


Mini 11-mod



BOM ID	Art.no.	Description
1	1964033	Inlet 5-Pole/400V CEE 432BU6
3	35000	Base, Mini, Blue
4	35004	Upper Lid Mini 11-modules
5	35016-K	Fuse Lid 11-modules Mini Complete
6	35018	Outlet 3-Pole/230V Schuko
10	35216	Cover, 6-modules 0.5x12 White
11	2162237	RCD, 4-pole, 40/0.03, AC/DC
12	19614830	Outlet 5-pole/400V CEE 416RU6
14	1961633	Outlet 5-Pole/400V CEE 432RU6
16	2141469	MCB, PLS6-C16A, 6kA
17	2141468	MCB, PLS6-C13, 6kA
18	1963883	Inlet 5-Pole/400V CEE 416BU6
20	2141509	MCB, PLS6-C16/3-MW